



**CHUCK**

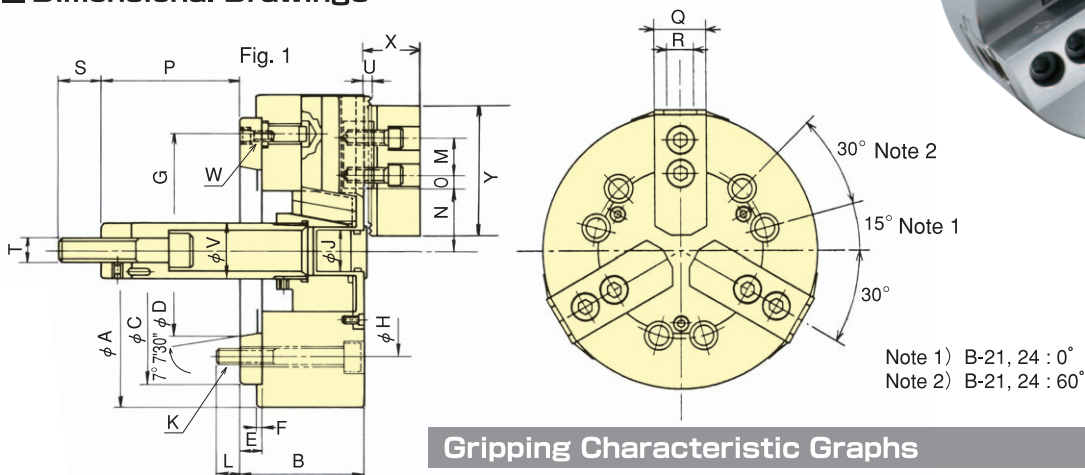
# Closed Centre Power Chuck (Direct Mount)

## N-A series

Chuck Adaptor is equipped to suit Spindle Nose Closed Centre standard chuck

\* CE correspondence

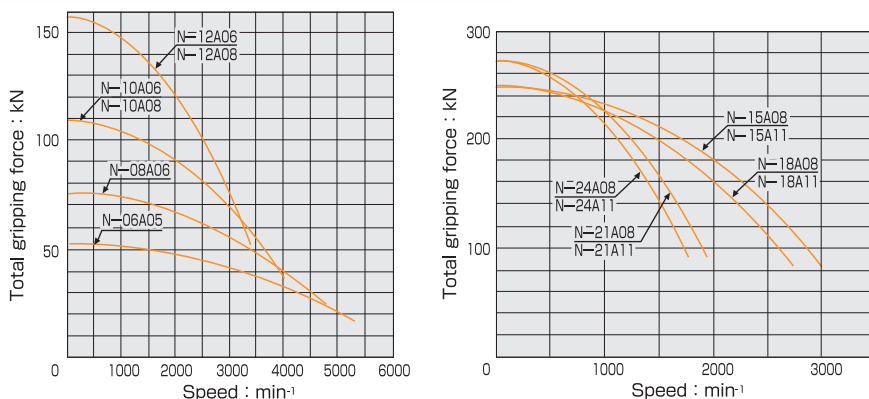
### Dimensional Drawings



Standard Chuck

### Gripping Characteristic Graphs

\*With standard blank soft top jaw.



**Dimensions** \*N-10A06, N-12A06, N-15A08, N-18A08, N-21A08, N-21A11, N-24A11 are referred to in Fig-2 \*Mounting Bolt P.C.D for N-21A08~N-24A15 : 60° Pitch : 6pcs..

Dimensions Model	A	B	C	D	E	F	G	H	J	K	L	M	N max.	N min.	O max.	O min.	P max.	P min.	Q	R	S	T	U	V	W	X	Y
N-06A05	165	84	140	82.563	15	5	116	104.8	21	6-M10	14	20	37.8	33.55	13.75	7.75	86.5	66.5	31	12	36	M16x2.0	4	34	3-M6	35	72
N-08A06	210	97	170	106.375	17	5	150	133.4	25	6-M12	18	25	46.3	41.9	22.25	11.75	110	89	35	14	36	M20x2.5	5	38	3-M6	42	95
N-10A06	254	104	220	106.375	20	5	171.4	133.4	34	6-M12	18	30	51.1	46.7	30.75	11.25	114	89	40	16	36	M20x2.5	5	45	6-M16	46	110
N-10A08	254	102	220	139.719	18	5	190	171.4	34	6-M16	25	30	51.1	46.7	30.75	11.25	140	115	40	16	36	M20x2.5	5	45	3-M8	46	110
N-12A06	304	120	220	106.375	20	6	171.4	133.4	34	6-M12	18	30	61	55.75	48.75	12.75	119	89	50	18	36	M20x2.5	5	50	6-M16	54	129
N-12A08	304	118	220	139.719	18	6	190	171.4	34	6-M16	25	30	61	55.75	48.75	12.75	145	115	50	18	36	M20x2.5	5	50	3-M8	54	129
N-15A08	381	130	300	139.719	22	6	235.0	171.4	-	6-M16	23	43	77.5	69.5	48.75	23.25	82	47	50	25.5	55	M30x3.5	2	60	6-M20	61	135
N-15A11	381	130	300	196.869	22	6	260	235.0	-	6-M20	33	43	77.5	69.5	48.75	23.25	82	47	50	25.5	55	M30x3.5	2	60	3-M10	61	135
N-18A08	450	130	300	139.719	22	6	235.0	171.4	-	6-M16	23	43	108	100	48.75	23.25	70	35	50	25.5	55	M30x3.5	2	60	6-M20	61	135
N-18A11	450	130	300	196.869	22	6	260	235.0	-	6-M20	33	43	108	100	48.75	23.25	70	35	50	25.5	55	M30x3.5	2	60	3-M10	61	135
N-21A08	530	146	380	139.719	27	6	330.2	171.4	-	6-M16	23	60	86	78	93.5	27.5	70	35	65	25	55	M30x3.5	3	60	6-M22	71	180
N-21A11	530	146	380	196.869	27	6	330.2	235.0	-	6-M20	28	60	86	78	93.5	27.5	70	35	65	25	55	M30x3.5	3	60	6-M22	71	180
N-21A15	530	146	380	285.775	27	6	330.2	330.2	-	6-M22	34	60	86	78	93.5	27.5	70	35	65	25	55	M30x3.5	3	60	3-M12	71	180
N-24A11	610	146	380	196.869	27	6	330.2	235.0	-	6-M20	28	60	125	117	93.5	27.5	70	35	65	25	55	M30x3.5	3	60	6-M22	71	180
N-24A15	610	146	380	285.775	27	6	330.2	330.2	-	6-M22	34	60	125	117	93.5	27.5	70	35	65	25	55	M30x3.5	3	60	3-M12	71	180

**Specifications** \*Max. speed is shown using actual test data.

Specifications Model	Gripping range mm	Jaw Stroke (diameter) mm	Plunger Stroke mm	Max. Draw bar Pull Force kN (kgf)	Max. Gripping Force kN (kgf)	Max. Speed min <sup>-1</sup>	Net Weight with soft top jaws kg	Moment of inertia N·m <sup>2</sup> (kg·m <sup>2</sup> )	Matching pressure	Cylinder air	Max. pressure MPa (kgf/cm <sup>2</sup> )	Matching Hard top jaw	Matching Soft top jaw	Spindle nose size
N-06A05	165 19	8.5	20	18.0 (1835)	52.5 (5353)	5270	14.0	0.050	Y1020R	AY1720R	2.60 (26.5)	HB06B1	SB06B1	A2-5
N-08A06	210 23	8.8	21	25.0 (2549)	75.0 (7648)	4760	27.0	0.148	Y1225R	AY2225R	2.50 (25.5)	HB08B1	SB08B1	A2-6
N-10A06	254 24	8.8	25	29.0 (2957)	108.0 (11013)	4010	40.0	0.335	Y1225R	AY2225R	2.80 (28.6)	HB10A1	SB10B1	A2-6
N-10A08	254 24	8.8	25	29.0 (2957)	108.0 (11013)	4010	40.0	0.328	Y1225R	AY2225R	2.80 (28.6)	HB10A1	SB10B1	A2-8
N-12A06	304 26	10.5	30	41.0 (4181)	156.0 (15907)	3380	67.0	0.760	Y1530R	-	2.70 (27.5)	HB12B1	SB12B1	A2-6
N-12A08	304 26	10.5	30	41.0 (4181)	156.0 (15907)	3380	66.0	0.753	Y1530R	-	2.70 (27.5)	HB12B1	SB12A1	A2-8
N-15A08	381 72	16	35	82.0 (8362)	249.0 (25391)	3040	105.0	1.950	Y2035R	-	3.20 (32.6)	HB15N1	SB15N1	A2-8
N-15A11	381 72	16	35	82.0 (8362)	249.0 (25391)	3040	103.0	1.875	Y2035R	-	3.20 (32.6)	HB15N1	SB15N1	A2-11
N-18A08	450 133	16	35	82.0 (8362)	249.0 (25391)	2710	134.0	2.475	Y2035R	-	3.20 (32.6)	HB15N1	SB15N1	A2-8
N-18A11	450 133	16	35	82.0 (8362)	249.0 (25391)	2710	131.0	2.425	Y2035R	-	3.20 (32.6)	HB15N1	SB15N1	A2-11
N-21A08	530 62	16	35	82.0 (8362)	273.0 (27838)	1940	201.0	5.175	Y2035R	-	3.20 (32.6)	HB18B2	SB18A2	A2-8
N-21A11	530 62	16	35	82.0 (8362)	273.0 (27838)	1940	198.0	5.125	Y2035R	-	3.20 (32.6)	HB18B2	SB18A2	A2-11
N-21A15	530 62	16	35	82.0 (8362)	273.0 (27838)	1940	190.0	4.975	Y2035R	-	3.20 (32.6)	HB18B2	SB18A2	A2-15
N-24A11	610 152	16	35	82.0 (8362)	273.0 (27838)	1760	241.0	7.375	Y2035R	-	3.20 (32.6)	HB18B2	SB18A2	A2-11
N-24A15	610 152	16	35	82.0 (8362)	273.0 (27838)	1760	234.0	7.050	Y2035R	-	3.20 (32.6)	HB18B2	SB18A2	A2-15