



**CHUCK**

# Closed Centre Power Chuck (Long Stroke, Direct Mount)

## NL-A series

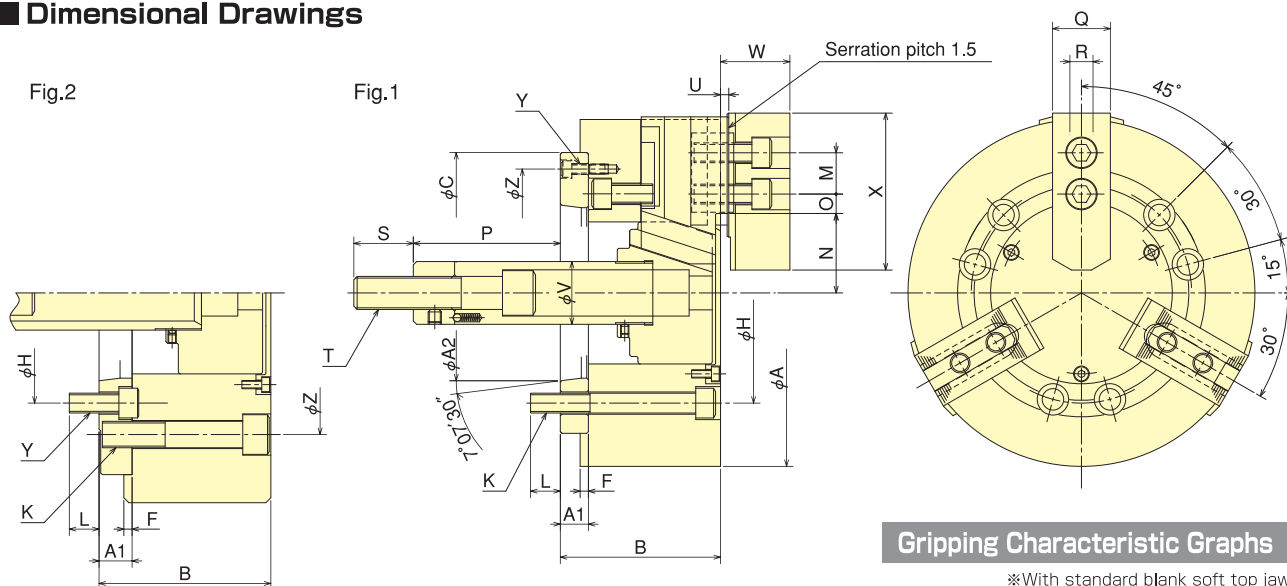
Chuck Adaptor is equipped to suit Spindle Nose Flange work securely gripped

\*CE correspondence



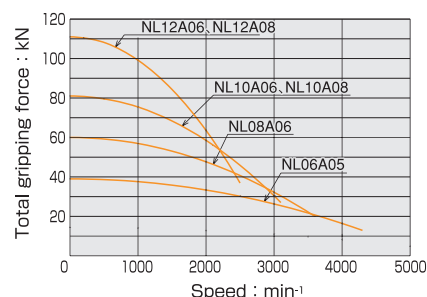
Standard Chuck

### Dimensional Drawings



### Gripping Characteristic Graphs

\*With standard blank soft top jaw.



### Dimensions \*NL10A06 and NL12A06 are based on Fig. 2.

Dimensions Model	A	B	C	F	H	K	L	M	N max.	N min.	O max.	O min.	P max.	P min.	Q	R	S	T	U	V	W	X	Y	Z	A1	A2
NL06A05	165	84	140	5	1048	6-M10	14	20	40.5	34	13.75	9.25	86.5	66.5	31	12	36	M16	4	34	35	72	3-M6	116	15	82.563
NL08A06	210	97	170	5	1334	6-M12	18	25	48.1	40	20.75	11.75	114	89	35	14	36	M20	5	38	42	95	3-M6	150	17	106.375
NL10A06	254	104	220	5	1334	6-M16	18	30	54.4	45.35	29.5	11.5	141	113	40	16	36	M20	5	45	46	110	6-M12	171.4	20	106.375
NL10A08	254	102	220	5	171.4	6-M16	25	30	54.4	45.35	29.5	11.5	143	115	40	16	36	M20	5	45	46	110	3-M8	190	18	139.719
NL12A06	304	120	220	6	1334	6-M16	18	30	65.7	56	42.75	12.75	3	-27	50	18	46	M24	5	50	54	129	6-M12	171.4	20	106.375
NL12A08	304	118	220	6	171.4	6-M16	25	30	65.7	56	42.75	12.75	1	-29	50	18	46	M24	5	50	54	129	3-M8	190	18	139.719

### Specifications

Specifications Model	Gripping range mm		Jaw Stroke (diameter) mm	Plunger Stroke mm	Max. Draw bar Pull Force kN (kgf)	Max. Gripping Force kN (kgf)	Max. Speed min⁻¹	Net Weight with soft top jaws kg	Moment of inertia kg·m²	Matching Cylinder	Max. pressure MPa (kg/cm²)	Matching Hard top jaw	Matching Soft top jaw
	Max.	Min.											
NL06A05	165	22	13	20	21.0(2141)	39.0 (3977)	4300	12.5	0.048	Y1020R	3.00(30.6)	HB06B1	SB06B1
NL08A06	210	23	16.2	25	30.0(3059)	60.0 (6118)	3600	24.5	0.148	Y1225R	2.90(29.6)	HB08A1	SB08B1
NL10A06	254	27	18.1	28	40.0(4079)	81.0 (8260)	3100	40.0	0.335	Y1530R	2.80(28.6)	HB10A1	SB10A1
NL10A08	254	27	18.1	28	40.0(4079)	81.0 (8260)	3100	37.6	0.326	Y1530R	2.80(28.6)	HB10A1	SB10A1
NL12A06	304	33	19.4	30	54.0(5506)	111.0(11319)	2500	64.6	0.759	Y1530R	3.60(36.7)	HB12B1	SB12A1
NL12A08	304	33	19.4	30	54.0(5506)	111.0(11319)	2500	63.0	0.750	Y1530R	3.60(36.7)	HB12B1	SB12A1