

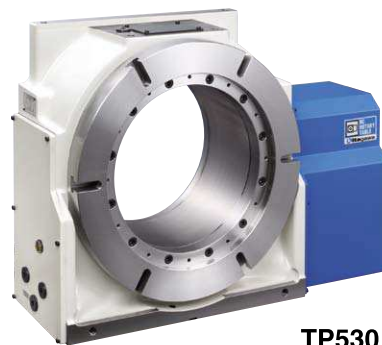
NC ROTARY TABLE

Mega Thru-Hole NC Rotary Table TP530

**Very large through hole: $\phi 345\text{mm}$
Suitable for machining large workpieces**

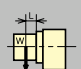

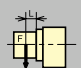
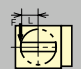
- Suitable for machining large workpieces such as oil pipes
- High accuracy heavy duty machining
- Low weight and compact design

* CE correspondence



TP530

Specifications

Model		TP530
Right hand		○
Left hand		Order production
Table dia (mm)		$\phi 530$
Register diameter on Face Plate (mm)		$\phi 400\text{H}7$
Spindle through hole diameter (mm)		$\phi 345$
Centre Height (mm)		310
Clamping method		Hydraulic
Clamping torque (N·m)		6100
Motor axis reduced inertia ($\text{kg}\cdot\text{m}^2$)		0.00231
Servomotor (for FANUC specification)		α iF 12/4000
Gear ratio	4th axis	1/180
	M signal	1/180
Max. spindle speed	FANUC specification (for $\text{min}^{-1}/\text{motor}2000\text{min}^{-1}$)	11.1
	M signal specification (for $\text{min}^{-1}/\text{motor}1500\text{min}^{-1}$)	8.33
Allowable work inertia ($\text{kg}\cdot\text{m}^2$)		12.29
Indexing accuracy (sec)		20
Repeatability (sec)		4
Mass of product (kg)		350
Manual Tailstock (as an option · P89 reference)		TS500RN
Tail Spindle (as an option)		Order production
Rotary Joint (as an option)		Order production
Allowable Load	Vertical (kg) 	350
Allowable load (When clamped to table)	F (kN) 	50
	FXL (N·m) 	8000
	FXL (N·m) 	6100
Allowable cutting torque	T (N·m)	2600

Note) 1. The switch for pressure checking is incorporated to all series except TC/DM of NC rotary tables. 2. In case of air-hyd. Clamp specification, the solenoid valve for table clamp is incorporated. 3. Solenoid valve is not incorporated in case of hydraulic clamp method. Consequently, customer shall prepare it. 4. Neither cable nor hose is fitted between NC rotary table and machine tool. 5. Contact to Kitagawa about rotary joint and tail spindle. 6. Each product mass is determined by Kitagawa M signal spec.

4th axis specifications

TP 530 R * * * *

Type: TP
 Table Size: 530
 Design No.: R * * * *
 Motor type: * * * *
 Clamping method: * * * *
 B : Air-Hydraulic/Hydraulic
 H : Hydraulic
 Left hand: R : Right hand, L : Left hand

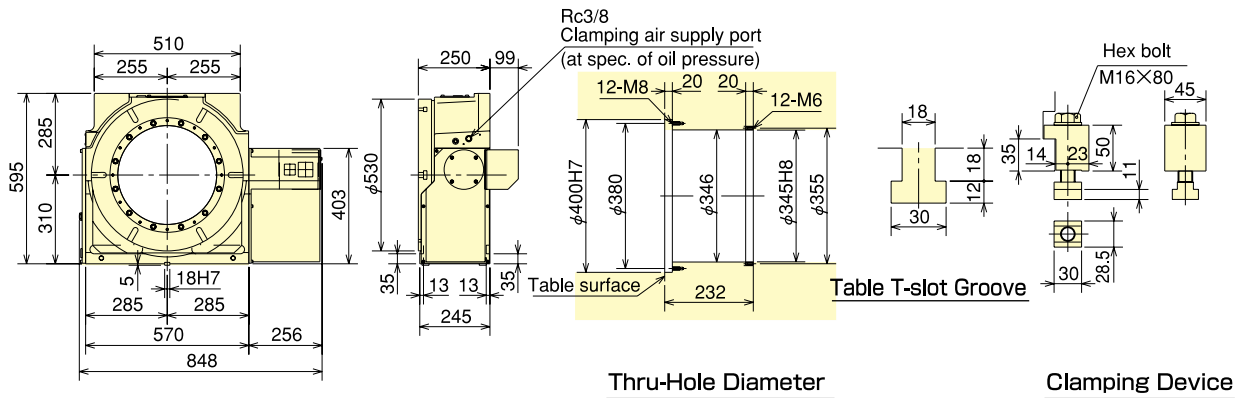
M signal specification

TP 530 R H V * *

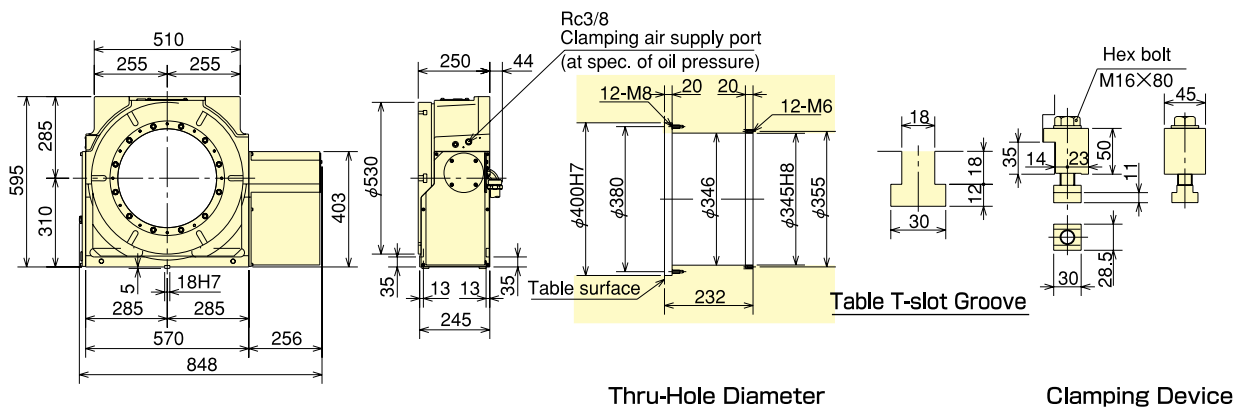
Type: TP
 Table Size: 530
 Design No.: R H V * *
 Quinte specification: H : Hydraulic, B : Air-Hydraulic (external air hydraulic booster)
 R : Right hand, L : Left hand

Dimensions

TP530 [4th axis specifications]



TP530 [Kitagawa own controller] *The dimensions may vary from motor to motor that is mounted.



TP