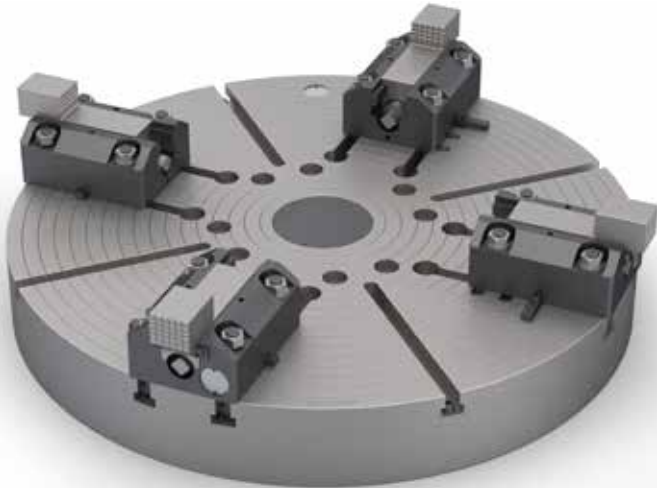


FBK/FBJ SERIES – FACE PLATES WITH BORING MILL JAWS

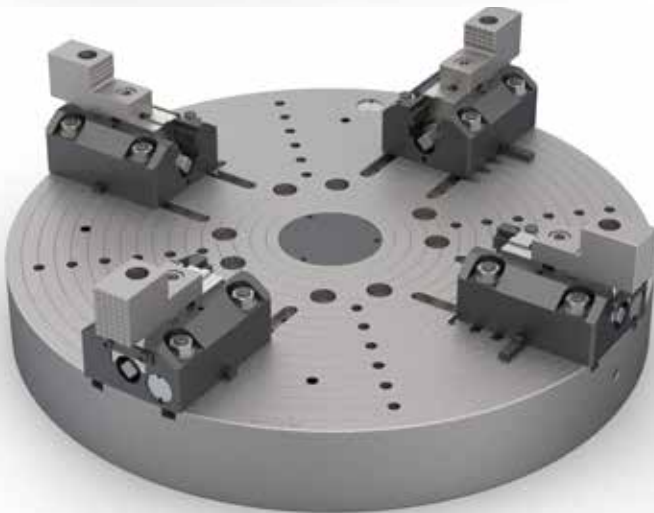
THE
BEST.

FBK/FBJ Independent Chuck with Boring Mill Jaws



An alternative to large, 4 jaw independent Chucks, the FBK/FBJ Series Face Plates with Boring Mill Jaws offer a large range of motion and jaw stroke for gripping irregular shaped parts. They offer maximum flexibility for large machines where a great range of motion is required for the application.

- FBK-1P: T-Slot + Boring Mill Jaw, 1 piece type
- FBK-2P: T-slot + Boring Mill Jaw, 2 piece type
- FBJ-1P: Tapped Hole + Boring Mill Jaw, 1 piece type
- FBJ-2P: Tapped Hole + Boring Mill Jaw, 2 piece type
- Chuck size (1,000 – 2,000 mm)



INDEPENDENT

4 JAW CHUCK

ONE PIECE

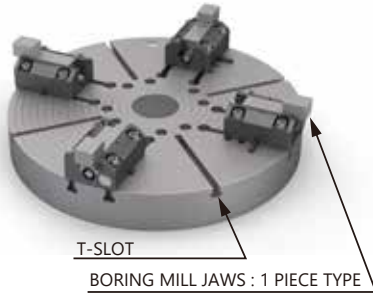
TWO PIECE

FBK/FBJ SERIES TECHNICAL SPECIFICATIONS

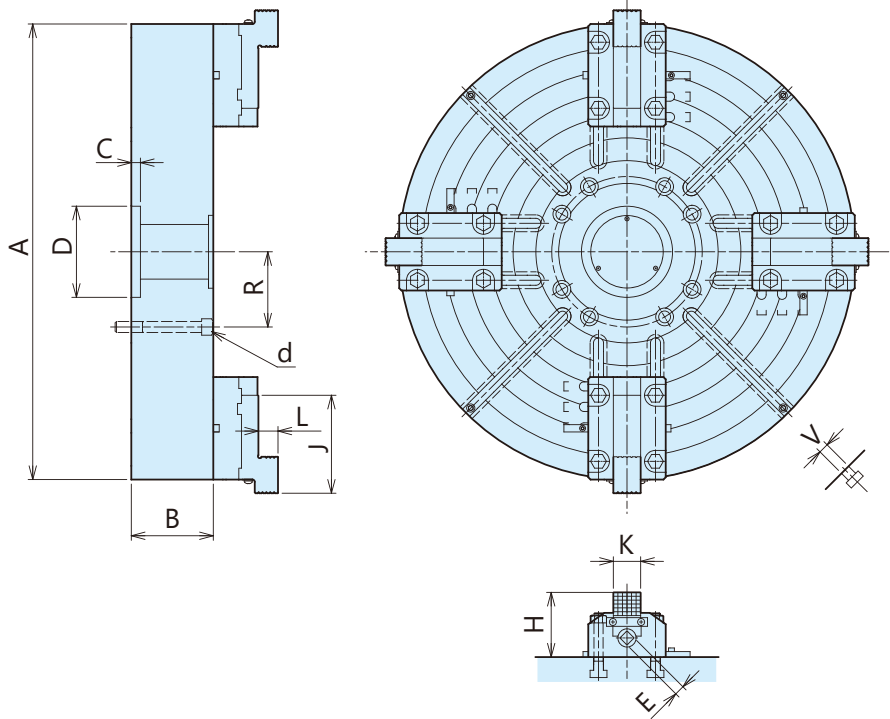
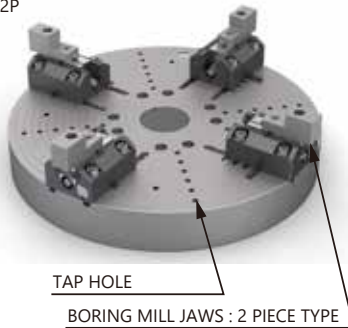
THE
BEST.

Face Plates with Boring Mill Jaws for a Large Range of Motion

FBK-1P



FBJ-2P



Unit : mm												
Model	A	B	C	D	E	H	J	K	L	R	d	V
FBK800-1P	800	100	20	200	15	135	140	50	43	117.5	8-M20	22
FBK1000-1P	1000	140	20	200	22	142	215	60	43	165.1	8-M24	22
FBK1250-1P	1250	180	20	200	22	142	215	60	43	165.1	8-M24	22
FBK1400-1P	1400	180	25	400	22	142	215	60	43	231.8	8-M24	22
FBK1600-1P	1600	180	25	500	22	142	215	60	43	290.0	8-M24	22
FBK2000-1P	2000	200	25	700	Hex.26	195	220	80	60	400.0	8-M30	28

Model	Static gripping force per one jaw	Handle torque N·m	Gripping range DIA.		Rotation speed min-1	Weight of Chuck including BM jaws kg	Weight per one BM jaw kg	BM jaw
	kN		Outside	Inside				
FBK800-1P	29	392	270-690	360-625	650	360	19	BM-3T
FBK1000-1P	39.2	441	320-890	480-735	500	600	26	BM-4T
FBK1250-1P	39.2	441	390-1140	550-985	350	920	26	BM-4T
FBK1400-1P	39.2	441	360-1290	520-1135	290	1130	26	BM-4T
FBK1600-1P	39.2	441	470-1490	630-1335	230	1400	26	BM-4T
FBK2000-1P	68	735	570-1820	755-1730	150	2550	55	BM-7T