



**COLLET
CHUCK**

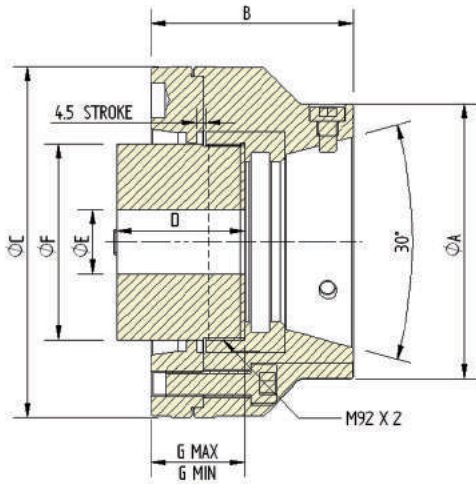
DHP Pull Back Series Power Collet Chucks



DHP series

Standard Features

- Pull back action for secure first operation clamping.
- Compact design and high accuracy.
- Requires collet changing device.
- Compatible with quick change collet clamping heads.



Specifications		DHP 52	DHP65	DHP80
Gripping Range - Round	Max mm	52	65	80
	Min mm	4	4	10
Collet Increment	mm	0.5	0.5	1
Sleeve Stroke	mm	4.5	4.5	4.5
Max Input Force	kN	40	45	50
Max Gripping Force	kN	94	105	115
Max Speed (r.p.m)	min ⁻¹	6500	6000	5500
Net Weight	kg	9	9	29
Matching Cylinder		S1552	S1875	SS1881
Collet/Clamping Head	Varibore	DC-52	DC-65	DC-80

Dimensions	DHP52			DHP65			DHP80			
Mount	A5	A6	A8	A5	A6	A8	220 x 6	A2-6	A2-8	A2-11
A	120			130			160			
B	89		109	95		115	114.5	134.5	127.5	156.5
C	165		210	165		210	230			
D	60			60			70			
E Max	M70 x 2.0	M85 x 2.0		M70 x 2.0	M85 x 2.0	M85 x 2.0	M105 x 2.0	M92 x 2.0	M105 x 2.0	M105 x 2.0
F	79		92	79		92	115	102	115	
G Max	44		64	44		64	43	63	56	85
G Min	39.5		59.5	39.5		59.5	38.5	58.5	51.5	80.5

Collet Chuck