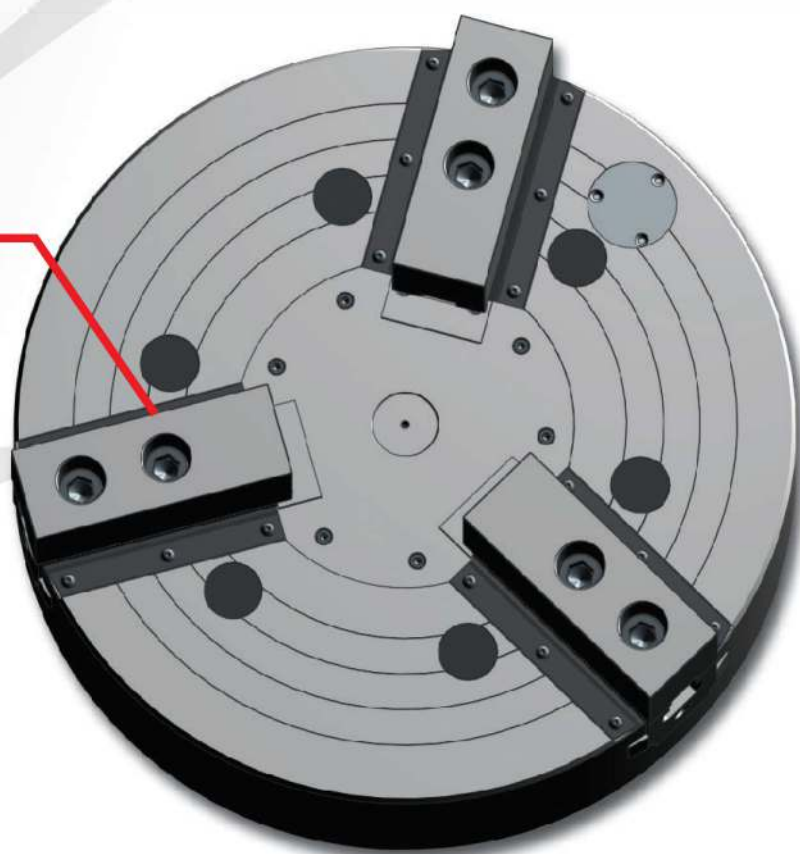
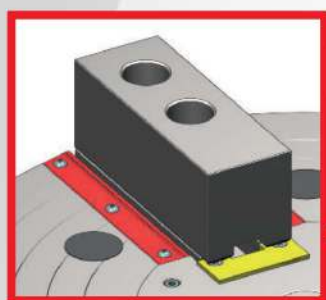




Large Power Chuck for Vertical Lathes

NV series

Low maintenance Power Chuck for Vertical Lathes
Sealed Base Jaw to prevent Swarf and Coolant ingress



Features

■ Protection against Swarf and Coolant

Protector and Scraper at Base Jaw prevent Swarf and Coolant ingress.

■ Standard Jaw

NV series is compatible with standard Hard and Soft Jaws as sealing is at the Base Jaw.

Specifications

Model	Gripping range mm		Jaw Stroke (diameter) mm	Plunger Stroke mm	Max. Draw Bar Pull Force kN (kgf)	Max. Gripping Force kN (kgf)	Max. Speed min ⁻¹	Net Weight with Soft top jaws kg	Moment of inertia kg·m ²	Matching Cylinder	Max. pressure MPa (kgf/cm ²)	Matching Soft top jaw	Spindle nose size
	Max.	Min.											
NV15	381	72	16	35	82 (8362)	247 (25187)	2900	133	2.580	Y2035R	3.2 (32.6)	SB15N1	A2-15
NV18	450	133	16	35	82 (8362)	247 (25187)	2600	169	3.190	Y2035R	3.2 (32.6)	SB15N1	A2-15
NV21	530	62	16	35	82 (8362)	272 (27736)	1800	210	5.450	Y2035R	3.2 (32.6)	SB18A2	A2-15
NV24	610	152	16	35	82 (8362)	272 (27736)	1700	253	7.575	Y2035R	3.2 (32.6)	SB18A2	A2-15
NV28	700	152	16	35	82 (8362)	272 (27736)	1200	400	22.000	Y2035R	3.2 (32.6)	SB18A2	A2-15
NV32	800	152	16	35	82 (8362)	272 (27736)	1100	420	34.400	Y2035R	3.2 (32.6)	SB18A2	A2-15
NV36	914	152	16	35	82 (8362)	272 (27736)	1000	580	59.300	Y2035R	3.2 (32.6)	SB18A2	A2-15
NV40	1000	152	16	35	82 (8362)	272 (27736)	800	710	82.800	Y2035R	3.2 (32.6)	SB18A2	A2-15

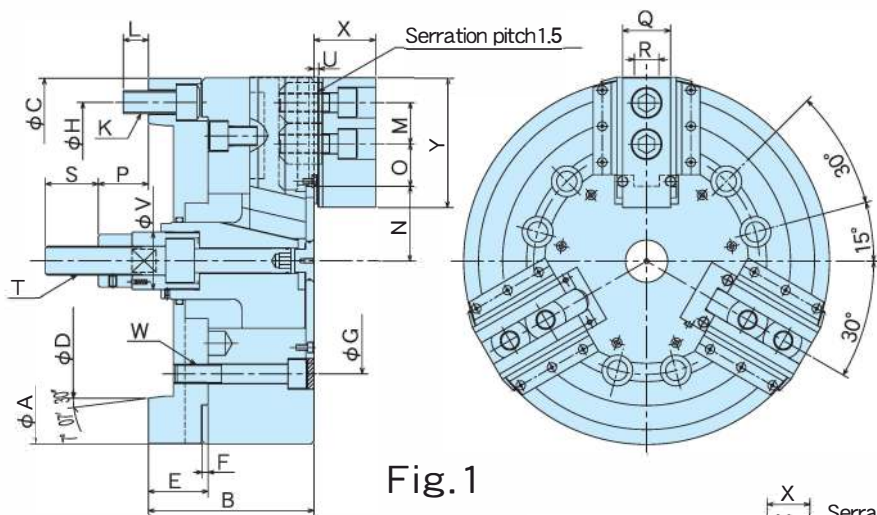


Fig. 1

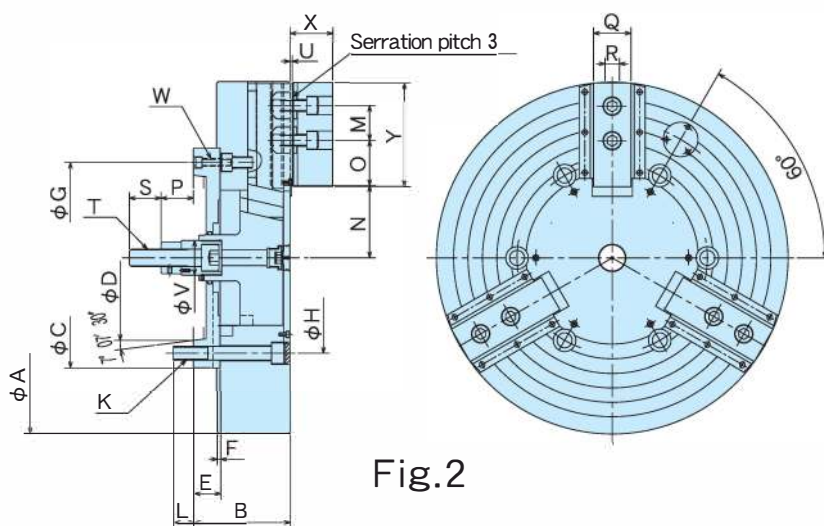


Fig. 2

Dimensions

※NV15&18 are based on Fig.1. NV21~40 are based on Fig.2.

Model	A	B	C	D	E	F	G	H	J	K	L	M	N _{max.}	N _{min.}	O _{max.}	O _{min.}	P _{max.}	P _{min.}	Q	R	S	T	U	V	W	X	Y
NV15	381	172	380	285.775	62	6	235.0	330.2	—	6-M24	26	43	77.5	69.5	48.75	23.25	91	56	50	25.5	55	M30	5	60	6-M20	64	135
NV18	450	172	380	285.775	62	6	235.0	330.2	—	6-M24	26	43	108.0	100.0	48.75	23.25	91	56	50	25.5	55	M30	5	60	6-M20	64	135
NV21	530	167	380	285.775	46	6	330.2	330.2	—	6-M24	35	60	86.0	78.0	93.50	27.50	91	56	65	25.0	55	M30	6	60	3-M12	74	180
NV24	610	167	380	285.775	46	6	330.2	330.2	—	6-M24	35	60	125.0	117.0	93.50	27.50	91	56	65	25.0	55	M30	6	60	3-M12	74	180
NV28	700	167	380	285.775	46	6	330.2	330.2	—	6-M24	35	60	125.0	117.0	141.50	27.50	91	56	65	25.0	55	M30	6	60	3-M12	74	180
NV32	800	167	380	285.775	46	6	330.2	330.2	—	6-M24	35	60	125.0	117.0	189.50	27.50	91	56	65	25.0	55	M30	6	60	3-M12	74	180
NV36	914	167	380	285.775	46	6	330.2	330.2	—	6-M24	35	60	125.0	117.0	249.50	27.50	91	56	65	25.0	55	M30	6	60	3-M12	74	180
NV40	1000	167	380	285.775	46	6	330.2	330.2	—	6-M24	35	60	125.0	117.0	282.50	27.50	91	56	65	25.0	55	M30	6	60	3-M12	74	180